

BG3-PRO

Operating Manual
Technical Description
Installation Instruction

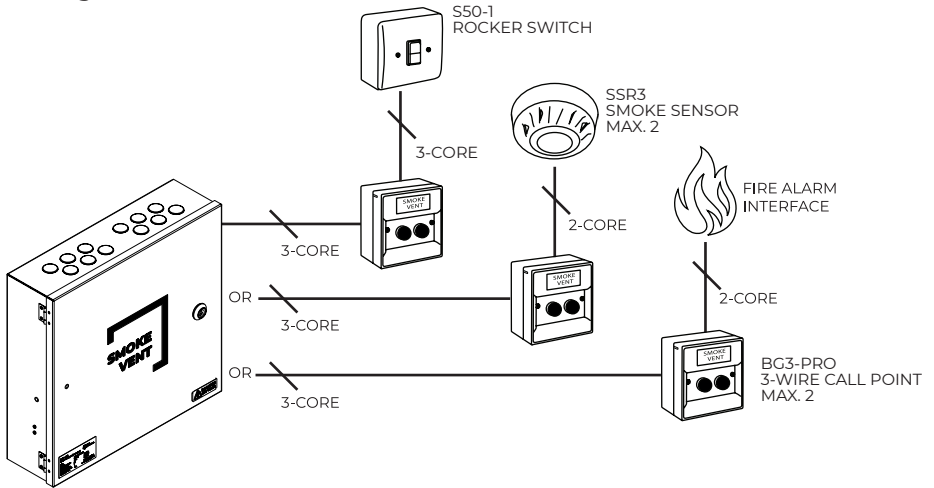
BG3-PRO

Operating Manual
Technical Description
Installation Instruction



Version 2.0.02

Wiring Schematic



Indication

Indicator	Indication
Red LED	System is activated
Green LED	System healthy
Yellow LED	System Fault (check SCP500/800 internal indicators to locate the fault).
Green & Yellow LED	Service required
Buzzer	System is activated

End of Line Monitoring Configuration

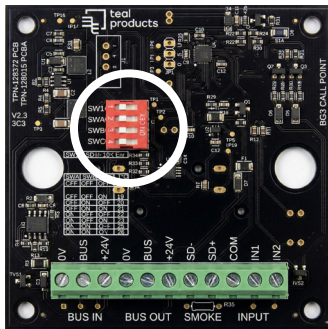
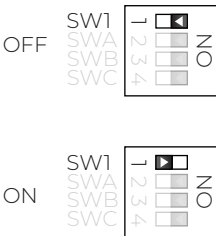
1) Call points only (no smoke sensor or fire alarm connected):

- Set dipswitch 1 to ON on all manual call point in the circuit.

2) Smoke sensor or fire alarm connected to the call point circuit:

- Set dipswitch 1 to OFF on all manual call points.
- Provide end of line monitoring by either:
 - » Fitting the supplied 10 kΩ resistor to the last or only smoke sensor, or
 - » Using the fire alarm module as the end of line resistor when connecting to a fire alarm system.

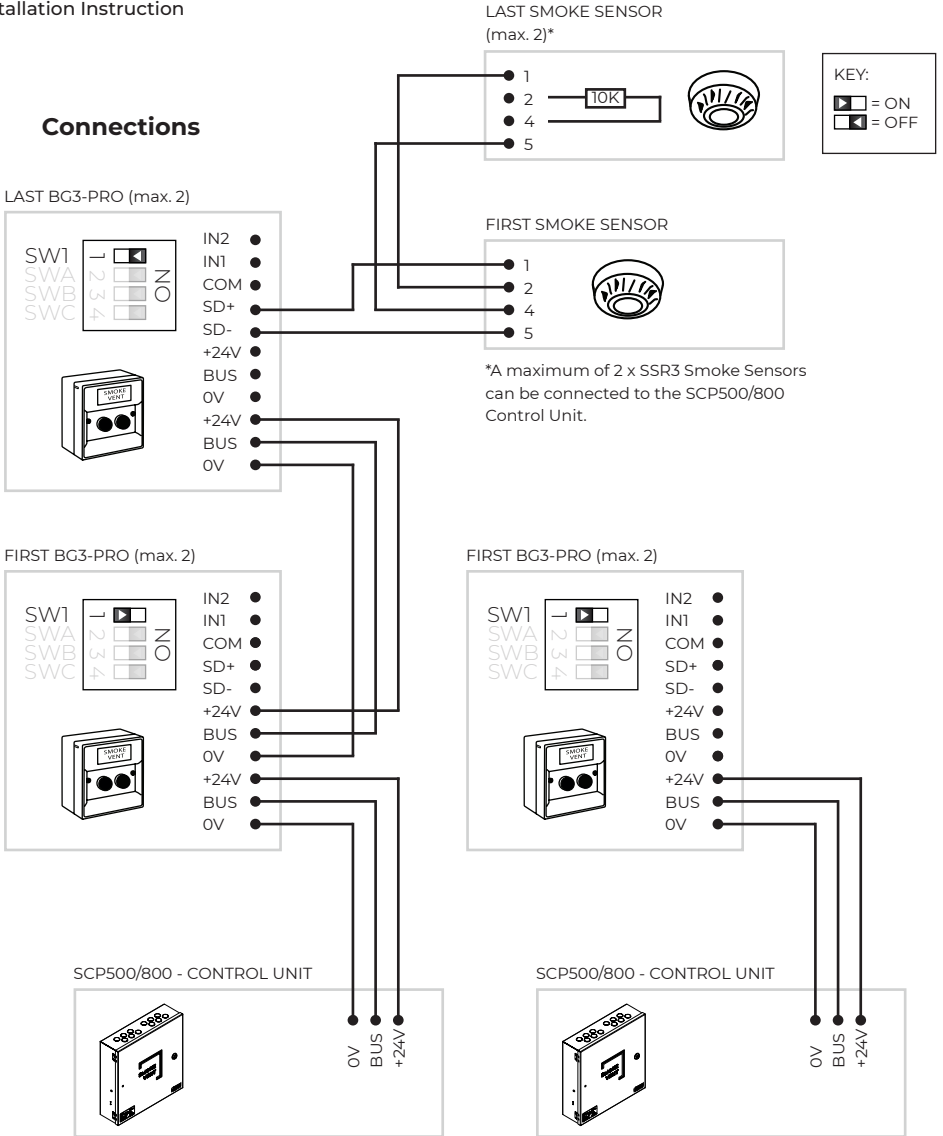
Follow the above settings to ensure correct end of line monitoring operation.



BG3-PRO

Operating Manual
 Technical Description
 Installation Instruction


Connections



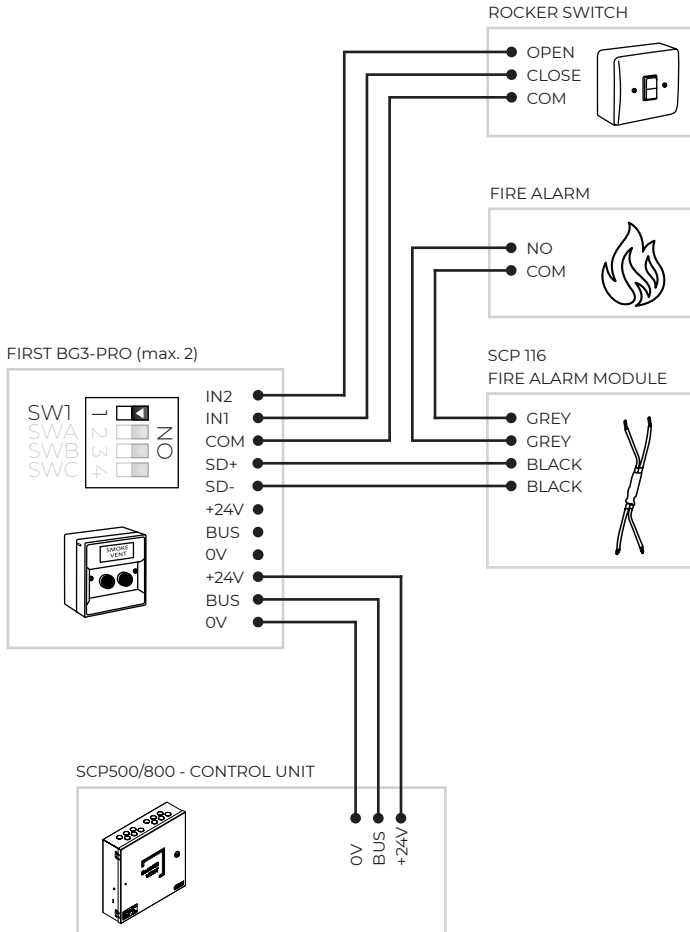
BG3-PRO

Operating Manual
 Technical Description
 Installation Instruction

KEY:

 = ON

 = OFF



Mounting

The BG3-PRO can be fitted to a standard recessed back box, or surface mounted using the included surface back box.

Commissioning

The SCP500/800 control panel is used in smoke control systems and must be checked:

- Ensure all connections are made with SCP500/800 powered off.
- Set dip switch 12 in the SCP500/800 to ON.
- Turn mains supply on and connect batteries.
- The BG3-PRO will beep and the LED's will start flashing to confirm pairing mode.
- Press the 'CLOSE/RESET' button on the BG3-PRO.
- The BG3-PRO will beep and the LED's will stop flashing to confirming pairing is complete.
- If two BG3-PRO are connected you must ensure the 'CLOSE/RESET' button on the second BG3-PRO is pressed within 5 minutes.

Operation

Push the 'OPEN' button to activate the system.

Push the 'CLOSE/RESET' button to reset the system.

Troubleshooting

'BG ERR' Fault LED and/or BG3-PRO will not pair with SCP500/800:

- Check your connections and cable.
- Check 10k end of line resistor is enabled/inserted.
- Press and hold the 'FIRE' and 'RESET' buttons inside the SCP500/800 for 10 seconds then release - The SCP500/800 should activate, if not press and hold for a further 10 seconds.
- Press the SCP500/800 'RESET' button again.
- Set dip switch 12 in the SCP500/800 to OFF.
- Press the SCP500/800 'RESET' button again.
- The 'BG ERR' LED should now clear - follow the Commissioning instructions to pair the BG3/PRO

If this does not resolve the problem please repeat the above process or contact your supplier for support.



**HOW TO
Video Guide**

BG3-PRO

Operating Manual
Technical Description
Installation Instruction

Version 2.0.02



Teal Products Ltd
Unit H, Alexandra Way,
Ashchurch, Gloucestershire,
GL20 8NB, UK

01242 620318
sales@tealproducts.co.uk
www.tealproducts.co.uk