

BG3/PRO

Operating Manual
Technical Description
Installation Instruction

BG3/PRO

Operating Manual
Technical Description
Installation Instruction

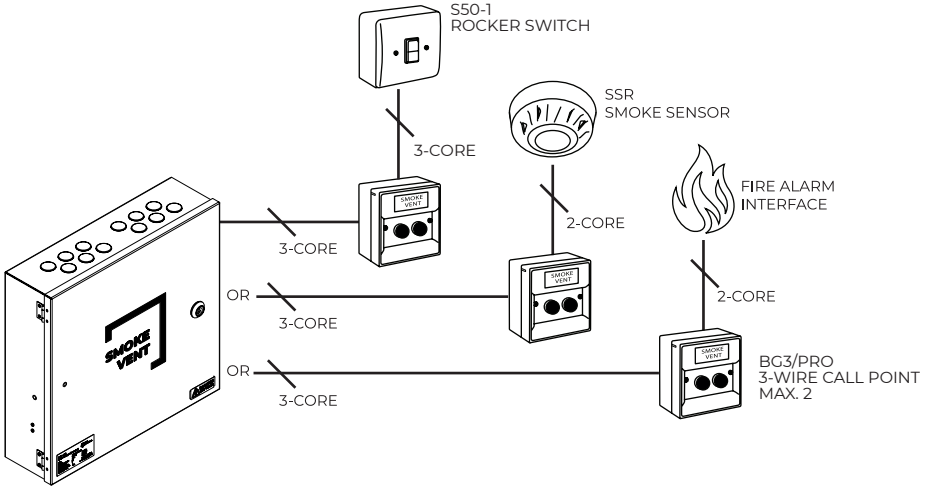


Version 2.0.1

BG3/PRO

Operating Manual
Technical Description
Installation Instruction

Wiring Schematic



Indication

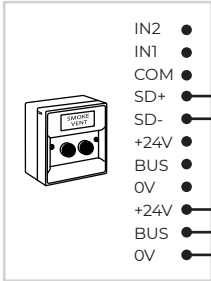
Indicator	Indication
Red LED	System is activated
Green LED	System healthy
Yellow LED	System Fault (check SCP500/800 internal indicators to locate the fault).
Green & Yellow LED	Service required
Buzzer	System is activated

BG3/PRO

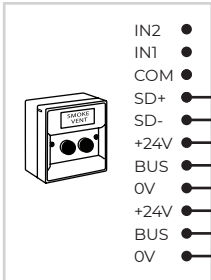
Operating Manual
 Technical Description
 Installation Instruction

Connections

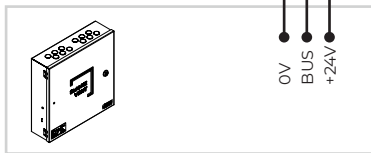
LAST BG3/PRO (max. 2)



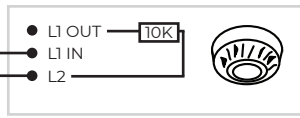
FIRST BG3/PRO (max. 2)



SCP500/800 - CONTROL UNIT



LAST SMOKE SENSOR
 (max. 8)*

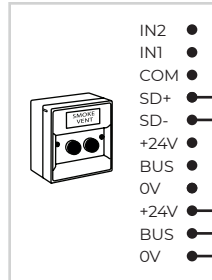


FIRST SMOKE SENSOR

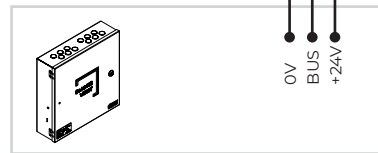


*A maximum of 8 x Smoke Sensors can be connected to the SCP500/800 Control Unit. This can be in any combination eg: 3 x Smoke Sensors on the first BG3/PRO, 3 x last BG3/PRO and 2 x connected directly to the SCP500/800 Control Unit.

FIRST BG3/PRO (max. 2)

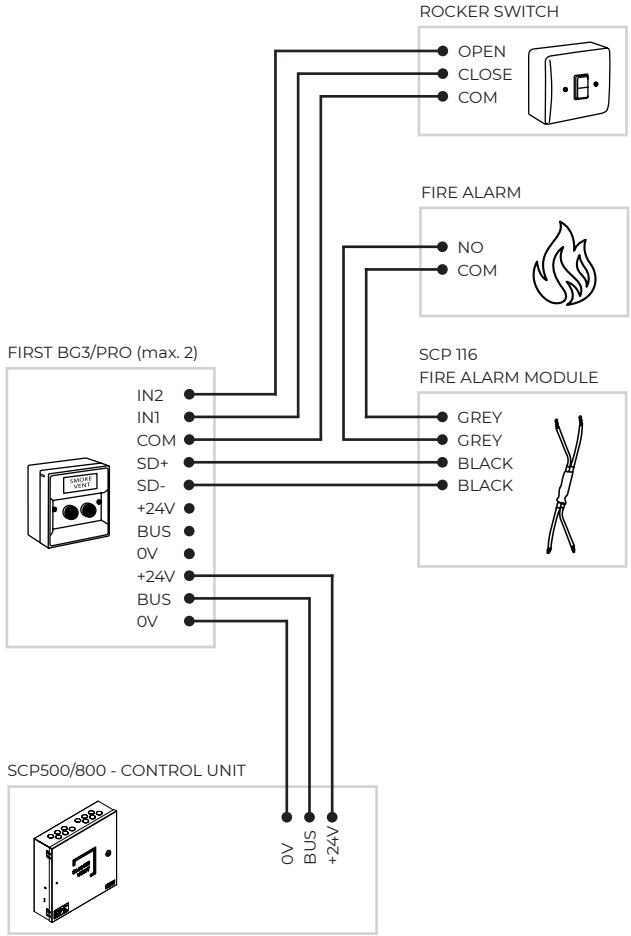


SCP500/800 - CONTROL UNIT



BG3/PRO

Operating Manual
Technical Description
Installation Instruction



Mounting

The BG3/PRO can be fitted to a standard recessed back box, or surface mounted using the included surface back box.

Commissioning

The SCP500/800 control panel is used in smoke control systems and must be checked:

- Ensure all connections are made with SCP500/800 powered off.
- Set dip switch 12 in the SCP500/800 to ON.
- Turn mains supply on and connect batteries.
- The BG3/PRO will beep and the LED's will start flashing to confirm pairing mode.
- Press the 'CLOSE/RESET' button on the BG3/PRO.
- The BG3/PRO will beep and the LED's will stop flashing to confirming pairing is complete.
- If two BG3/PRO are connected you must ensure the 'CLOSE/RESET' button on the second BG3/FOS is pressed within 5 minutes.

Operation

Push the 'OPEN' button to activate the system.

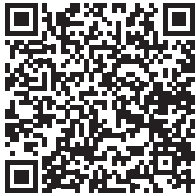
Push the 'CLOSE/RESET' button to reset the system.

Troubleshooting

'BG ERR' Fault LED and/or BG3/PRO will not pair with SCP500/800:

- Check your connections and cable.
- Check 10k end of line resistor is inserted in 6-wire break glass connections 4 and 6.
- Press and hold the 'FIRE' and 'RESET' buttons inside the SCP500/800 for 10 seconds then release.
- Press the SCP500/800 'RESET' button again.
- Set dip switch 12 in the SCP500/800 to OFF.
- Press the SCP500/800 'RESET' button again.
- The 'BG ERR' LED should now clear - follow the Commissioning instructions to pair the BG3/PRO

If this does not resolve the problem please repeat the above process or contact your supplier for support.



**HOW TO
Video Guide**

BG3/PRO

Operating Manual
Technical Description
Installation Instruction

Version 2.0.1



Teal Products Ltd
Unit 8A, Orchard Trading Estate,
Toddington, Cheltenham,
GL54 5EB, UK

01242 620318
sales@tealproducts.co.uk
www.tealproducts.co.uk