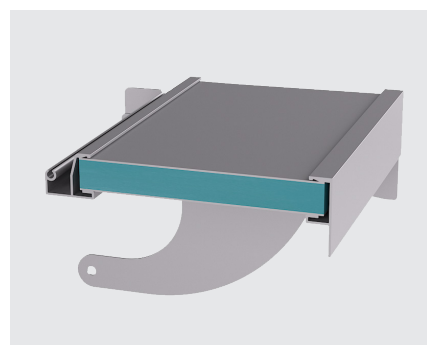


Sizes	Bespoke
Free Area	1m ² or 1.5m ²

SV-W-L1

The SV-W-L1 Wall Louvre is a multi louvred ventilator that provides an economic, non powered method of ventilation, allowing the removal of large quantities of warm air and / or smoke from a building within a short period of time.



Blades

Sandwich panel 25mm as standard. Alternative infill types are available including polycarbonate 25mm or insulated double glass.



Certification

Certified and tested in accordance to EN 12101-2



Applications

- » End of Corridor
- » Head of Stairwell

Technical Data

Frame	Tempered aluminium, sea water and corrosion resistant
Blades	Sandwich Panel 25mm (Standard) / Polycarbonate 25mm / Insulated Double Glass
Geometric Free Area	1m ² or 1.5m ² (depending on vent size)
Voltage	24V DC
Opening	84°
Opening Speed	> 60 secs
Current Consumption	1 Amp
Colour	Mill Finish / Custom RAL colour
Certification	EN 12101-2
Cable Dimension	2-Core
Delivery Includes	1 x Vent & 1 x Actuator

Dimensions

