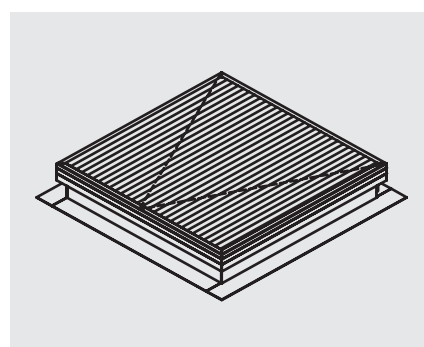


Sizes	Bespoke
Free Area	1m ² or 1.5m ²

SV-R-RL4

The SV-R-RL4 is a single flap smoke vent suitable for the removal of large quantities of warm air and / or smoke from a building within a short period of time, daily ventilation and natural lighting. Suitable for utilization on various kerbs.



Cover Lid

Single aluminium, double insulated aluminium or polycarbonate lid types are available.



Certification

Certified and tested in accordance to EN 12101-2



Applications

- » Head of Smoke Shaft
- » Head of Stairwell

Technical Data

Lid	Single Aluminium / Double Insulated Aluminium / Polycarbonate
Geometric Free Area	1m ² or 1.5m ² (depending on vent size)
U Value	Overall 'U' Value 1.75 W/m ² K
Voltage	24V DC
Opening	90°
Opening Speed	> 160 secs
Current Consumption	1 Amp
Colour	Mill Finish / Custom RAL Colour
Certification	EN 12101-2
Cable Dimension	2-Core
Delivery Includes	1 x Vent & 1 x Actuator

Dimensions

