



WMU 952 Chain actuator 500N 230V AC



Natural
ventilation

230V

Rated voltage

2.47

Description

- designed for surface mounting
- for comfort ventilation
- to be used with tophung, bottomhung, pivot and turning windows
- connection to existing electric installations as the window actuator runs on 230 VAC installations
- soft close function
- built-in electronic load switch-off/end stop
- electronic actuator with micro controller
- easy mounting

Entrapment protection function

The actuators are programmed to reverse if they encounter obstacles when closing.

Weather seals protection function

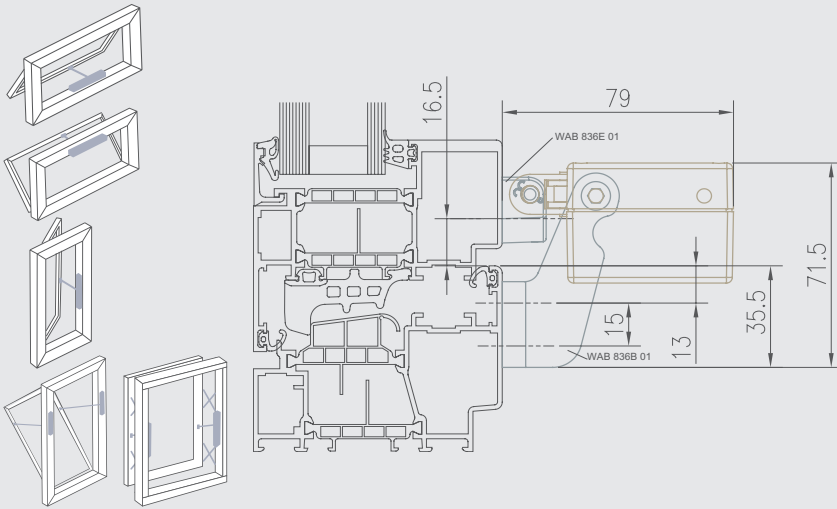
Integrated reverse function after closing to release pressure and ensure a prolonged life span of the window gaskets and air-tightness

Technical specifications	
Pressure force	500 N
Tractive force	300 N
Locking force	2000 N
Chain stroke	400 mm
Opening speed	8 mm/s
Closing speed	8 mm/s
Window types	Tophung, bottomhung, pivot and turning window Window size should be confirmed with the window supplier and WindowMaster
Voltage	230 VAC ±10%, 50/60Hz, max. 50VA
Insulation / earthing	the actuator is a double insulated class II product which means it will not require earth connection
Current consumption	0.45 A
Operating conditions	-5°C - +70°C max. 85% relative humidity (not condensing)
Switch-on-duration	ED 20% (max. 3min. per 15min)
Material	aluminium housing with stainless steel chain
Colour	aluminium RAL 9006. RAL colours available at an additional price
Size	42 x 57 x 605 mm (H x D x L)/(L= 605 + 18 = 623 mm incl. screws)
Weight	2.43 kg
IP rating	IP32
Delivery includes	actuator with 5m cable and plug
Note	We reserve the right to make technical changes

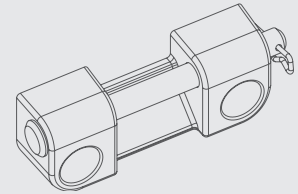
Description of product code composition					
WMU 952	-1	G	xxx	S	01
				Product version: 1	
				S = Standard cable	
				Stroke: 400 = 400mm	
				Color: G=Grey	
Actuator variant: 1 = single					
Example of product code					
WMU 952-1G 400S 01		WMU 952 actuator, single synchronisation, Grey, S incl. cable, 400mm chain stroke, product version 1			

Accessories	Item no.
Actuator bracket for WMU 952	WAB 852A
Actuator bracket for WMU 952	WAZ 852i
Z-Bracket for inward opening windows	WAB 827
Actuator bracket for WMU 952	WAB 836B
Actuator bracket for WMU 952	WAB 836H
Chain bracket for WMU 952	WAB 836E
See separate product sheets for further information.	

Installation suggestion 1 - Outward opening

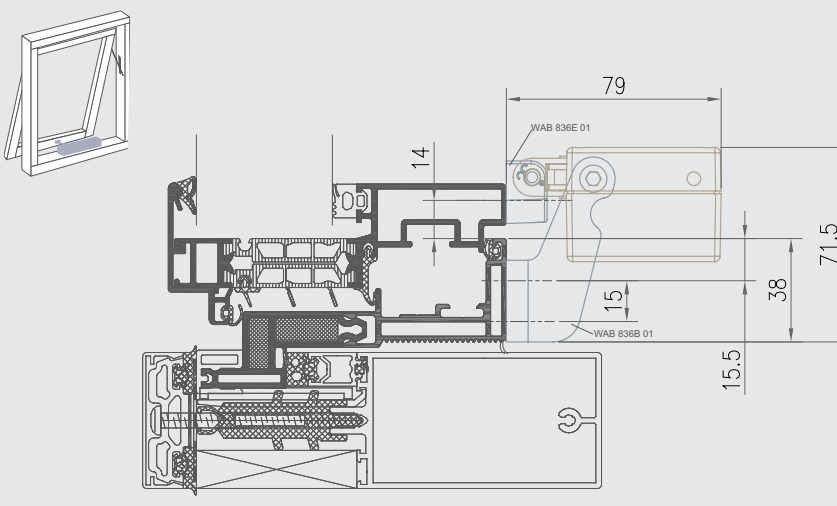


WAB 836B

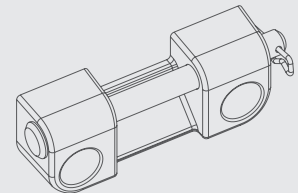


WAB 836E

Installation suggestion 2 - Outward opening (friction hinge)

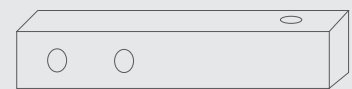
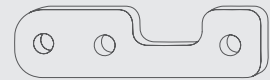
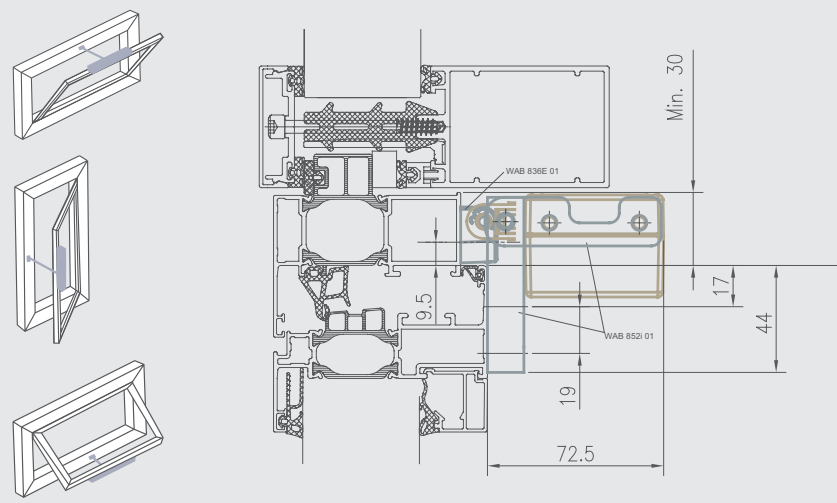


WAB 836B

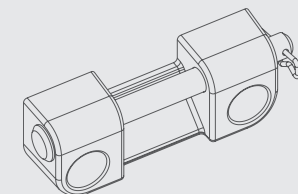


WAB 836E

Installation suggestion 3 - Inward opening (sash mounting)

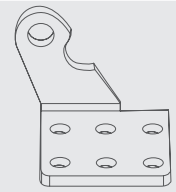
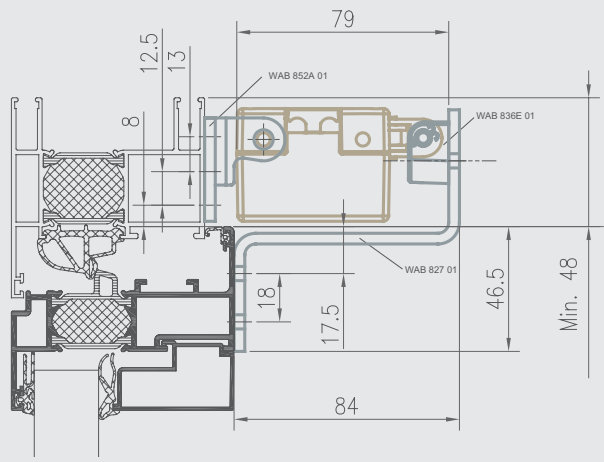
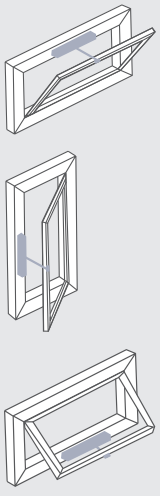


WAB 852i

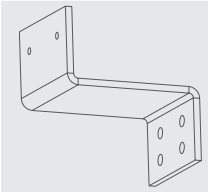


WAB 836E

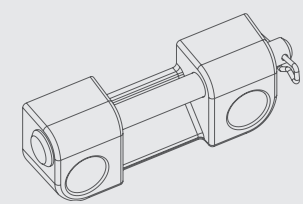
Installation suggestion 4 - Inward opening (frame mounting)



WAB 852A

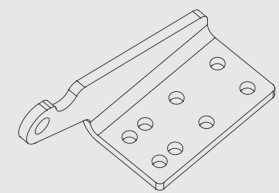
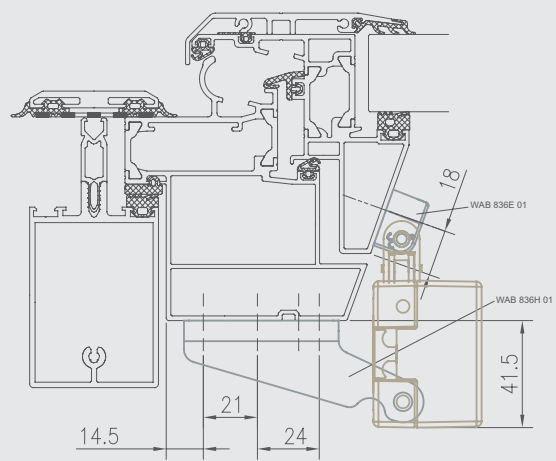
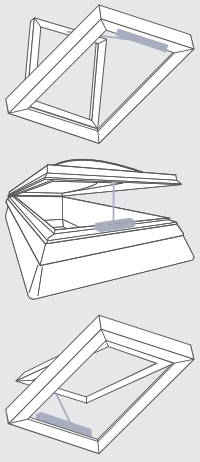


WAB 827

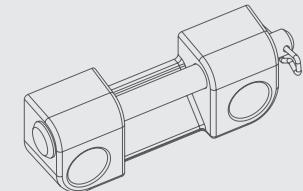


WAB 836E

Installation suggestion 5 - Outward roof opening

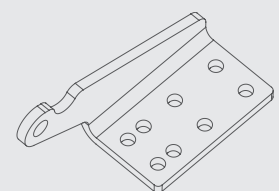
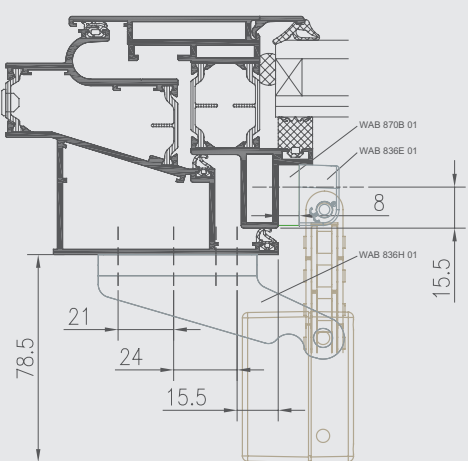
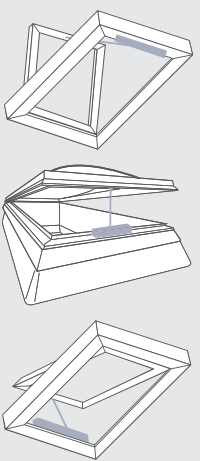


WAB 836H

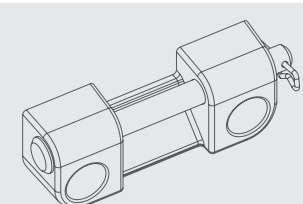


WAB 836E

Installation suggestion 6 - Outward roof opening



WAB 836H



WAB 836E

WMU 952

Chain actuator 500N 230V AC

Lenght incl. screws.

