

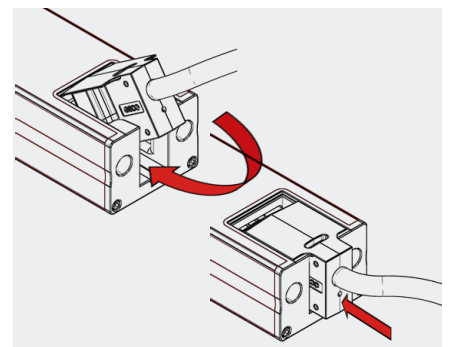


Stroke	300 / 500 / 800 / 1000mm*
Push Force	400N
Voltage	24V DC

\*Programmable with TCD1-ACC-03 programmer

# TCD1

The TCD1 chain drive actuator is a versatile solution for window automation systems, seamlessly adaptable to nearly any window type. Its compact design enhances its appeal, offering a space-efficient alternative to larger actuators without compromising performance or functionality.



## End-to-End Cable Entry

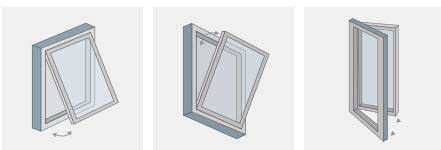
The end-to-end cable entry feature offers flexibility by allowing cable connection at either end of the actuator, simplifying installation.



## Synchronisation

Synchronisation of up to four actuators is possible using the TCD1-CC-03 programmer unit - no need for an external synchronisation module.

## Window Types



## Part Codes

TCD1-400-300	TCD1 Chain Actuator 24V 300mm 400N Silver
TCD1-400-500	TCD1 Chain Actuator 24V 500mm 400N Silver
TCD1-400-800	TCD1 Chain Actuator 24V 800mm 400N Silver
TCD1-400-1000	TCD1 Chain Actuator 24V 1000mm 400N Silver
TCD1-400-300-2	TCD1 Chain Actuator Synchronised (2) 24V 300mm 400N Silver
TCD1-400-500-2	TCD1 Chain Actuator Synchronised (2) 24V 500mm 400N Silver
TCD1-400-800-2	TCD1 Chain Actuator Synchronised (2) 24V 800mm 400N Silver
TCD1-400-1000-2	TCD1 Chain Actuator Synchronised (2) 24V 1000mm 400N Silver

## Accessories

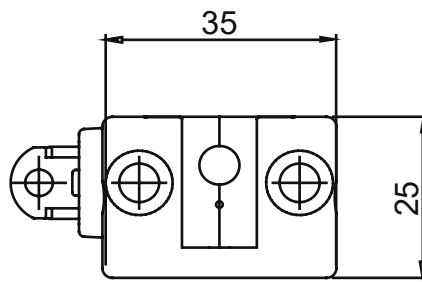
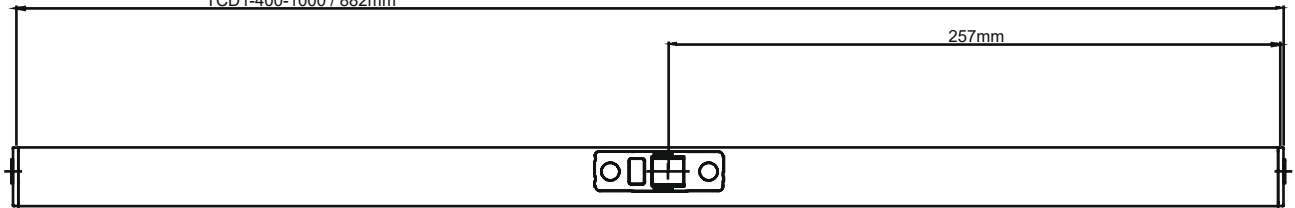
TCD1-ACC-101	TCD1 Pivot Brackets
TCD1-ACC-02	TCD1 Vent Bracket
TCD1-ACC-04	TCD1 Inward Opening Bracket Set

## Technical Data

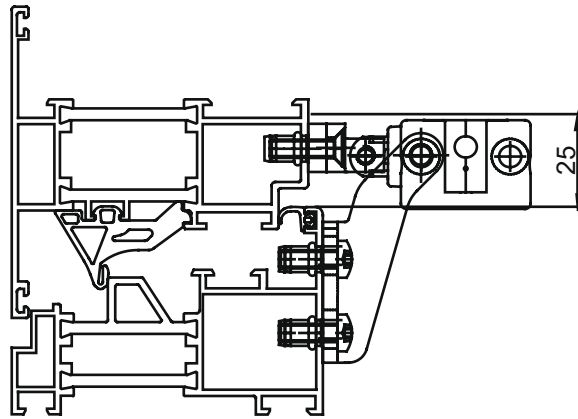
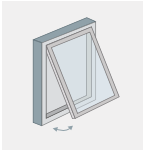
Voltage	24V DC
Push Force	400N (150-300mm) / 350N (450mm) / 300N (600mm)
Pull Force	400N
Opening Stroke	300mm / 500mm / 800mm / 1000mm - All programmable
Opening Speed	300mm & 500mm = 10mm/s / 800mm = 14mm/s / 1000mm = 17mm/s
Current Consumption	1.2 Amp
Operating Conditions	-15°C - +70°C
Switch-on Duration	S3 25% / S2 2 Min
Colour	Silver Anodised / Custom RAL Colour
IP Rating	IP32
Life Span	10,000 Opening & Closing Movements
Delivery Includes	1 x Actuator - Fixing Brackets Sold Separately
Flex Length	2m
Cable Dimensions	2-core (Plus 1 Communication Wire)
Min. Window Width	> 590mm (300mm) / > 780mm (500mm) / > 1080mm (800mm) / > 1240mm (1000mm)
Max. Window Width	< 1300mm (Use Multiple Actuators If Wider)
Dimensions	300mm = 530 x 25 x 35mm / 500mm = 625 x 25 x 35mm / 800mm = 776 x 25 x 35mm / 1000mm = 892 x 25 x 35mm

## Dimensions

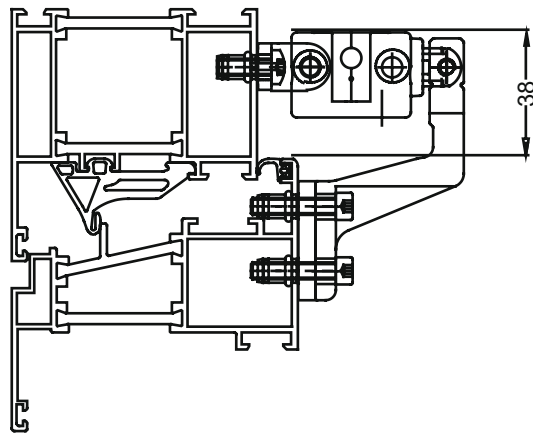
TCD1-400-300 / 530mm  
TCD1-400-500 / 625mm  
TCD1-400-800 / 776mm  
TCD1-400-1000 / 882mm



## Top Hung Window



## Bottom Hung Window



## Recommended Controls



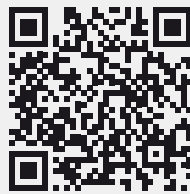
**SCP500**

Control Unit



**SCP800**

Control Unit



**WSC 520/540/560**

Control Unit



**WCC 310/320-PLUS**

Control Unit

