

WMX 804

CHAIN ACTUATOR

OPENING STROKE SIZES

250 mm (programmable)

PUSH FORCE

150 N

VOLTAGE

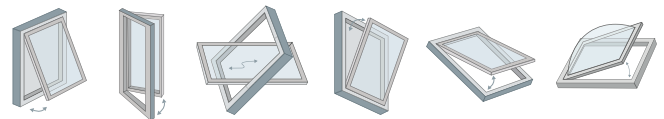
24V DC (+/- 10%)



DESCRIPTION

Designed for surface mounting. To be used with all window types. To be used together with $\pm 24V$ control units or control units with MotorLink®. Can be used together with espagnolette WMB. External safety edge can be connected directly to the actuator (actuator version 'E'). Synchronization of up to four window actuators – no need for an external synchronization module. Genuine position feedback and three speeds when using control unit with MotorLink®. Soft close. The electronics in this actuator can be programmed to suit specific requirements – i.e. pressure- and traction force, stroke, speed/sound level – with the WAT 100 programming box, also possible following installation. Built-in electronic load switch-off/end stop. Electronic actuator with micro controller. The actuator has an integrated reverse function to ensure a prolonged life span of the window gaskets. Easy mounting.

WINDOW TYPES



APPLICATION



COMFORT
VENTILATION

COLOURS

- Silver RAL 9006
- White RAL 9010
- ⊗ Custom RAL colour

TECHNICAL DATA

Voltage	24V DC (+/- 10%)
Push Force	150 N
Pull Force	200 N
Locking Force	3000 N
Opening Stroke	250 mm (programmable)
Opening Speed	7 mm/s (programmable)
Current Consumption	1.0 A
Operating Conditions	-5°C - +74°C, max. 90% relative humidity (not condensing)
Switch-on Duration	ED 40% (max. 4min. per 10min)
Colour	White RAL 9010, Silver RAL 9006 or custom RAL colour
IP Rating	IP 20
Life Span	10,000 opening and closing movements
Delivery Includes	1 x Actuator (fixing brackets sold separately)
Flex Length	1.9 m
Cable Dimensions	2-Core (plus 1 communication wire)
Min. window width	> 249 mm
Max. window width	< 1300 mm (use multiple actuators if wider)
Synchronisation	Yes (programmable)

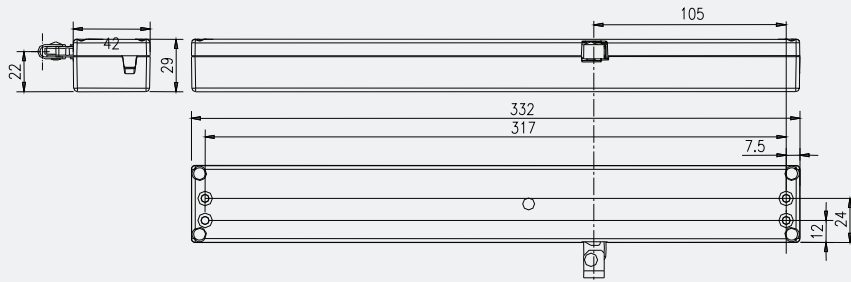
ACCESSORIES

WAB-801	- Vent Bracket
WAB-804G	- Standard Bracket Silver
WAB-804W	- Standard Bracket White
WAB-805G	- Inward Opening Bracket Silver
WAB-805W	- Inward Opening Bracket White

PART CODES

WMX804-1G	- WMX 804-1 Actuator 24 V 250 mm Silver
WMX804-1W	- WMX 804-1 Actuator 24 V 250 mm White
WMX804-2G	- WMX 804-2 Actuator (synchronised) 24 V 250 mm Silver
WMX804-2W	- WMX 804-2 Actuator (synchronised) 24 V 250 mm White

DIMENSIONS



CONTROLS



WUC 102
Control Unit



WCC 310
Control Unit



WCC 320
Control Unit

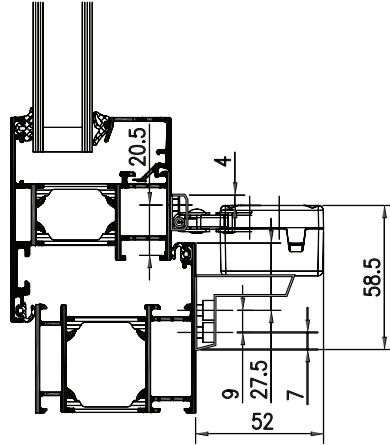


WSK 100
Ventilation Keypad



**INSTALLATION
EXAMPLES**

Top-Hung



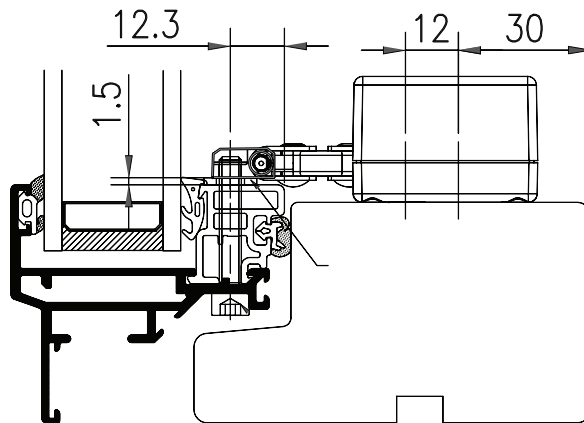
WAB 801



WAB 804



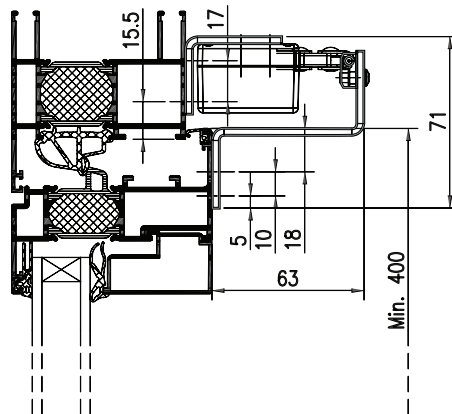
Top Hung (Timber)



WAB 801



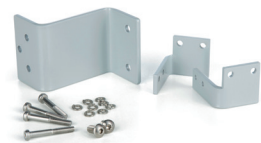
Inward Opening



WAB 801



WAB 805



ACTUATOR VARIANTS

The actuator is available in four different versions: single actuator (-1), double actuator (-2), triple actuator (-3) and quad actuator (-4). The synchro actuators (-2, -3 and -4) are equipped with a patented synchronization function, in which the actuators communicate directly with each other, which ensures the actuators operate at exactly the same speed and position. On large windows up to four actuators can be mounted on the same window – with no need for an external synchronization module.

PRESSURE SAFETY FUNCTION

The risk of entrapment is reduced as the actuators are programmed to reverse if they encounter obstacles when closing. The set points determining when the actuators are to reverse are individually adjustable and can be adjusted after installation using the programming box WAT 100.