

WMU 851

CHAIN ACTUATOR

OPENING STROKE SIZES

400, 500 or 600 mm (programmable)

PUSH FORCE

500 N

VOLTAGE

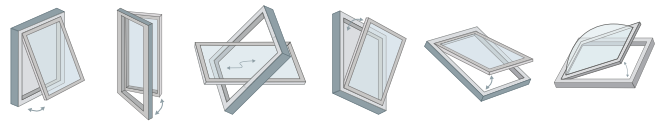
24V DC (+/- 10%)



DESCRIPTION

Designed for surface mounting. For comfort ventilation. To be used with all window types. To be used together with $\pm 24V$ control units or control units with MotorLink®. Can be used together with espagnolette WMB. Synchronization of up to four window actuators – no need for an external synchronization module. Genuine position feedback and three speeds when using control unit with MotorLink®. Soft close function. The electronics in this actuator can be programmed to suit specific requirements – i.e. pressure- and traction force, stroke, speed/sound level – with the WAT 100 programming box, also possible to do after installation. Built-in electronic load switch-off/end stop. Electronic actuator with micro controller. The actuator has an integrated reverse function to ensure a prolonged life span of the window gaskets. Easy mounting

WINDOW TYPES



APPLICATION



COLOURS

- Silver RAL 9006
- ⊗ Custom RAL colour

CERTIFICATION



TECHNICAL DATA

24V DC (+/- 10%)

Voltage	24V DC (+/- 10%)
Push Force	500 N
Pull Force	300 N
Locking Force	3000 N
Opening Stroke	400 mm (programmable)
Opening Speed	12 mm/s (programmable)
Current Consumption	1 A
Operating Conditions	-5°C - +74°C, max. 90% relative humidity (not condensing)
Switch-on Duration	ED 40% (max. 4min. per 10min)
Colour	Silver RAL 9006 or custom RAL colour
IP Rating	IP 32
Life Span	10,000 opening and closing movements
Delivery Includes	1 x Actuator (fixing brackets sold separately)
Flex Length	5 m
Cable Dimensions	2-Core (plus 1 communication wire)
Min. window width	> 770 mm
Max. window width	< 1300 mm (use multiple actuators if wider)
Synchronisation	Yes (programmable)

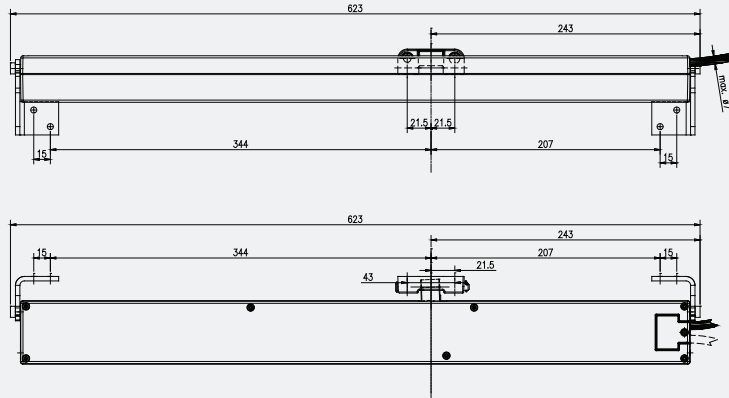
ACCESSORIES

- WAB827 - Inward Opening Bracket (2)
- WAB836B - Large Pivot Bracket
- WAB836E - Vent Bracket
- WAB836H - XL Pivot Bracket
- WAB852A - Inward Opening Bracket (1)

PART CODES

- WMU851400-1 - WMU 852-1 Actuator 24 V 400 mm Silver
- WMU851400-2 - WMU 852-2 Actuator (synchronised) 24 V 400 mm Silver

DIMENSIONS



CONTROLS



WSC 204
AOV Control Unit



WSK 320
Override Switch



WUC 102
Control Unit

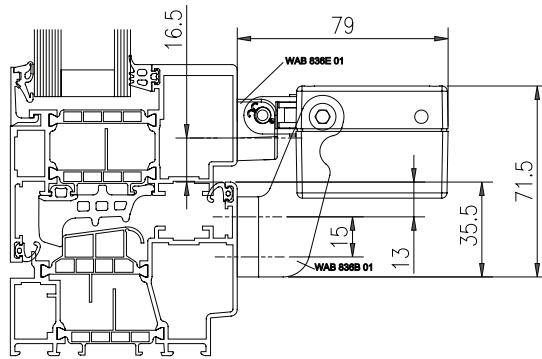


WSK 100
Ventilation Keypad



**INSTALLATION
EXAMPLES**

Top-Hung



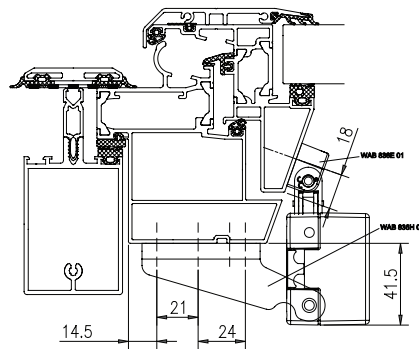
WAB 836E



WAB 836B



Rooflight



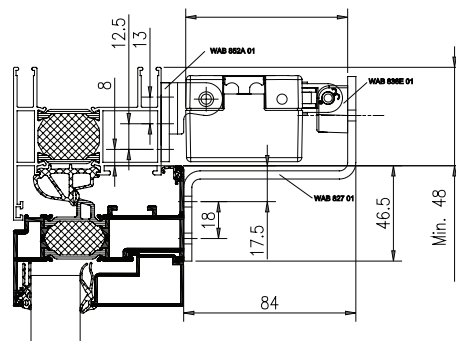
WAB 836E



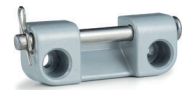
WAB 836H



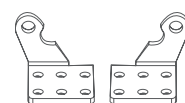
Inward Opening



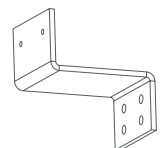
WAB 836E



WAB 852A



WAB 825



ACTUATOR VARIANTS

The actuator is available in four different versions: single actuator (-1), double actuator (-2), triple actuator (-3) and quad actuator (-4). The synchro actuators (-2, -3 and -4) are equipped with a patented synchronization function, in which the actuators communicate directly with each other, which ensures the actuators operate at exactly the same speed and position. On large windows up to four actuators can be mounted on the same window – with no need for an external synchronization module.