

WMU 836

CHAIN ACTUATOR

OPENING STROKE SIZES

400, 600, 800 or 1000 mm (programmable)

PUSH FORCE

See table

VOLTAGE

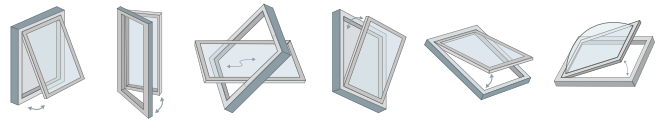
24V DC (+/- 10%)



DESCRIPTION

Designed for surface mounting. For comfort ventilation. For smoke ventilation DIN 18232-3. For smoke ventilation EN 12101-2: The EN-actuators are approved according to EN 12101-2 with selected profiles. To be used with all window types. To be used together with $\pm 24V$ control units or control units with MotorLink®. Can be used together with espagnolette WMB. Synchronization of up to four window actuators – no need for an external synchronization module. Genuine position feedback and three speeds when using control unit with MotorLink®. Soft close function. The electronics in this actuator can be programmed to suit specific requirements – i.e. pressure- and traction force, stroke, speed/sound level – with the WAT 100 programming box, also possible following installation. Built-in electronic load switch-off/end stop. Electronic actuator with micro controller. The actuator has an integrated reverse function to ensure a prolonged life span of the window gaskets. Easy mounting.

WINDOW TYPES



APPLICATION



COMFORT
VENTILATION

COLOURS

- Silver Anodised
- ⊗ Custom RAL colour

CERTIFICATION



TECHNICAL DATA

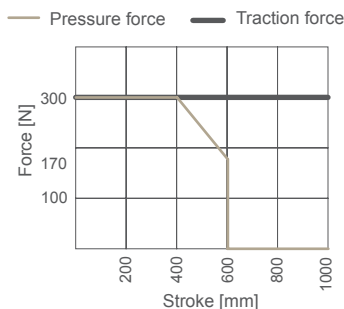
Voltage	24V DC (+/- 10%)
Push Force	See table
Pull Force	300 N
Locking Force	3000 N
Opening Stroke	400, 600, 800 or 1000 mm (programmable)
Opening Speed	14 mm/s (programmable)
Current Consumption	1.0 A
Operating Conditions	-5°C - +74°C, max. 90% relative humidity (not condensing)
Switch-on Duration	ED 40% (max. 4min. per 10min)
Colour	Silver Anodised or custom RAL colour
IP Rating	IP 32
Life Span	10,000 opening and closing movements
Delivery Includes	1 x Actuator (fixing brackets sold separately)
Flex Length	5 m
Cable Dimensions	2-Core (plus 1 communication wire)
Min. window width	> 628 mm (400 mm stroke), 828 mm (600 mm stroke), 1028 mm (800 mm stroke) or 1228 mm (1000 mm stroke)
Max. window width	< 1300 mm (use multiple actuators if wider)
Synchronisation	Yes (programmable)

ACCESSORIES

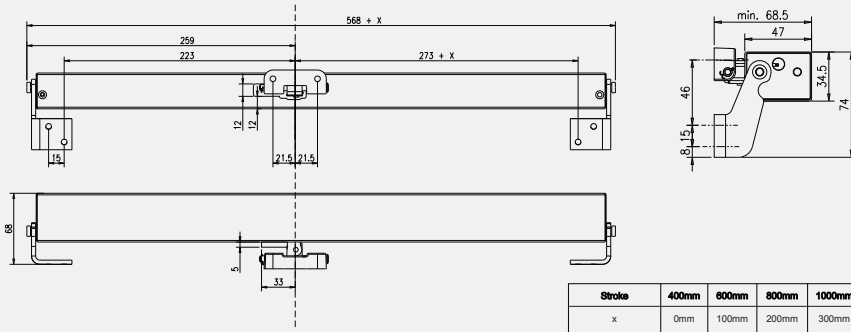
- WAB824 - Inward Opening Bracket (1)
- WAB825 - Inward Opening Bracket (2)
- WAB836A - Small Pivot Bracket
- WAB836B - Large Pivot Bracket
- WAB836E - Vent Bracket

PART CODES

- WMU8361000 - WMU 836-1 Actuator 24 V 1000 mm Silver
- WMU8361000-2 - WMU 836-2 Actuator (synchronised) 24 V 1000 mm Silver
- WMU836400 - WMU 836-1 Actuator 24 V 400 mm Silver
- WMU836400-2 - WMU 836-2 Actuator (synchronised) 24 V 400 mm Silver
- WMU836600 - WMU 836-1 Actuator 24 V 600 mm Silver
- WMU836600-2 - WMU 836-2 Actuator (synchronised) 24 V 600 mm Silver
- WMU836800 - WMU 836-1 Actuator 24 V 800 mm Silver
- WMU836800-2 - WMU 836-2 Actuator (synchronised) 24 V 800 mm Silver



DIMENSIONS



CONTROLS



WSC 204
AOV Control Unit



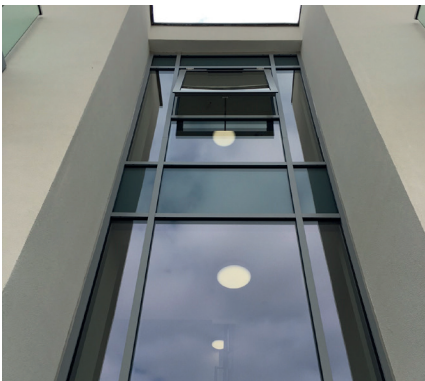
WSK 320
Override Switch



WUC 102
Control Unit

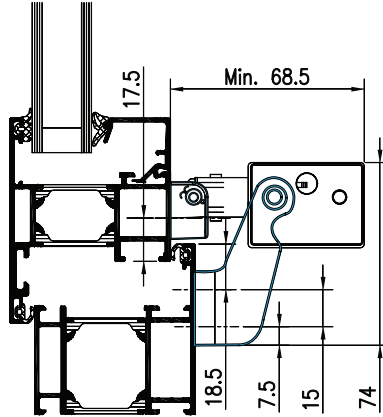


WSK 100
Ventilation Keypad

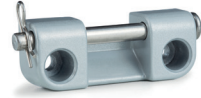


**INSTALLATION
EXAMPLES**

Top Hung



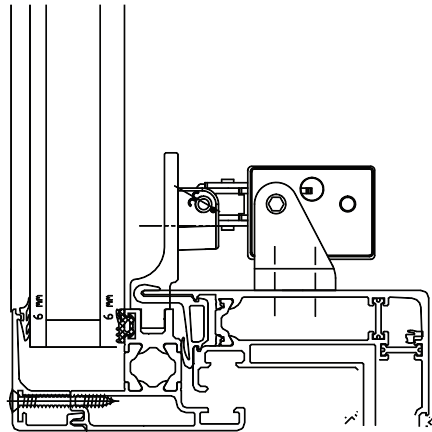
WAB 836E



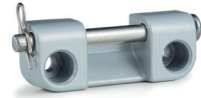
WAB 836B



Top Hung (Timber)



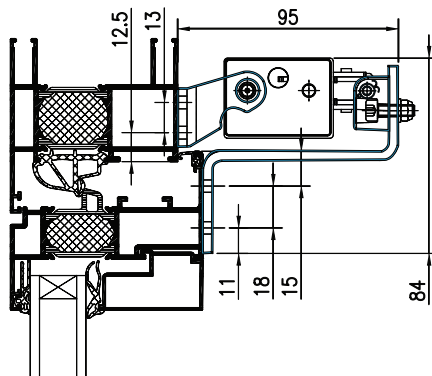
WAB 836E



WAB 836A



Inward Opening



WAB 836E



WAB 825



WAB 824



ACTUATOR VARIANTS

The actuator is available in four different versions: single actuator (-1), double actuator (-2), triple actuator (-3) and quad actuator (-4). The synchro actuators (-2, -3 and -4) are equipped with a patented synchronization function, in which the actuators communicate directly with each other, which ensures the actuators operate at exactly the same speed and position. On large windows up to four actuators can be mounted on the same window – with no need for an external synchronization module.