

T175

LOCKING OPENER

OPENING STROKE

0-250 mm (adjustable)



DESCRIPTION

Manual Locking Opener for bottom hung inward opening windows. Maximum opening of 250 mm (adjustable). Can be fitted to most window types Aluminium, Timber or uPVC. Individual or multiple T175 Locking Openers can be controlled from a single T200, T210, T250 or T300 Operator.

WINDOW TYPES



APPLICATION



COMFORT
VENTILATION

COLOURS

- **Black** RAL 9005
- **Silver** RAL 9006
- **White** RAL 9010

TECHNICAL DATA

Opening Stroke	0-250 mm (adjustable)
Colour	White RAL 9010, Black RAL 9005 or Silver RAL 9006
Delivery Includes	1 x Locking Opener
Min. window width	> 50 mm
Max. window width	< 1000 mm (use multiple openers if wider)

PART CODES

T175B	-	T175 Locking Opener Black
T175G	-	T175 Locking Opener Silver
T175W	-	T175 Locking Opener White

COMPATIBLE WITH



T200
Maxi Operator



T210
Maxi Operator



T250
Midi Operator

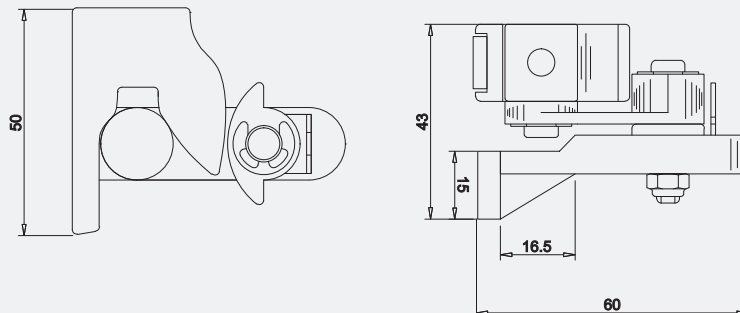


T260
Midi Operator



T300
Mini Operator

DIMENSIONS



INSTALLATION EXAMPLES

Bottom-Hung, Inward Opening

