

L35 DUO ACTUATOR

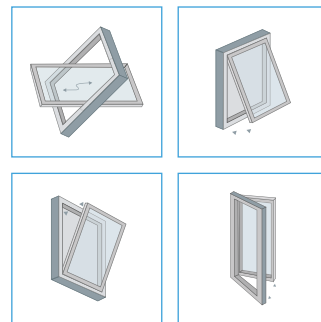
ACTUATORS CHAIN ACTUATORS

■ Applications



■ Colours

White (RAL 9010)
Black (RAL 9005)
Grey (RAL 7035)



* Radio control version also available

■ L35 DUO ACTUATOR

- Pair of Chain-type actuators programmed to work in sync for wider vents.
- 9 opening strokes from 50mm to 420mm.
- Supplied complete with standard bracket for aluminium frames.
- All electrical parts are double insulated and supplied with 1.5m cable.
- Available in white (RAL9010), grey (RAL7035) or black (RAL9005).
- Up to 30 actuators can be operated in parallel.



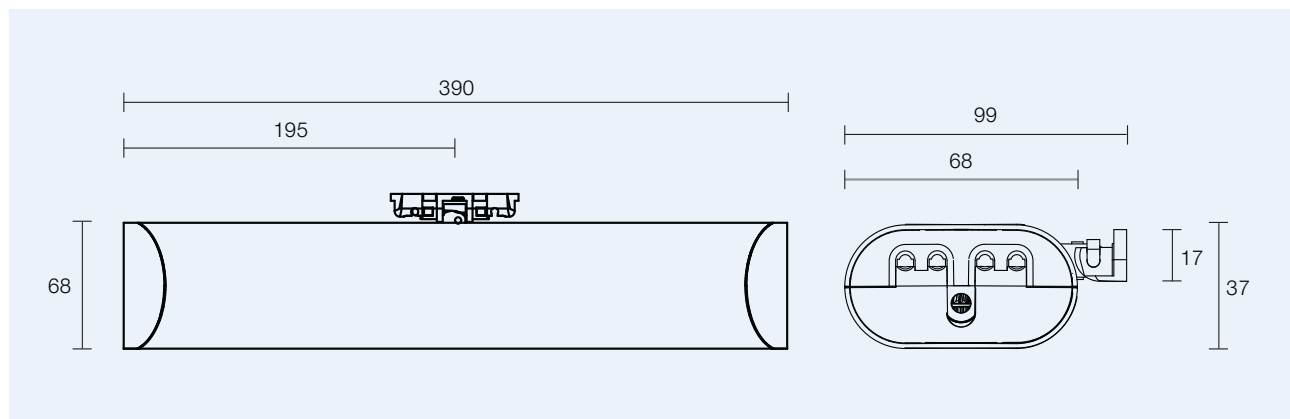
230V

24V

TECHNICAL DATA:

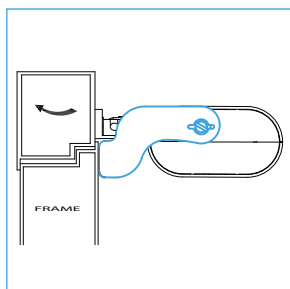
CODE	L35DUO230	L35DUO24
VOLTAGE	230VAC	24VDC
STROKE	50-420mm	50-420mm
THRUST FORCE	700N (2 x 350N)	700N (2 x 350N)
ABSORBED CURRENT	0.38A	2A
SPEED	18mm/s	18mm/s
PROTECTION CLASS	IP44	IP44
FLEX	1.5m (2 x 3 CORE)	1.5m (2 x 2 CORE)
COLOURS	WHITE / BLACK / GREY	WHITE / BLACK / GREY
LIMIT STOP	ELECTRONIC	ELECTRONIC
SAFETY STOP	ELECTRONIC	ELECTRONIC
MAX WINDOW WIDTH	1.25m <2.5m	1.25m <2.5m

DIMENSIONS:

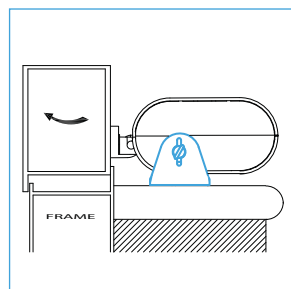


BRACKET TYPES:

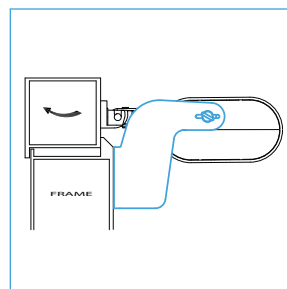
L25/35/SB*
Standard Bracket



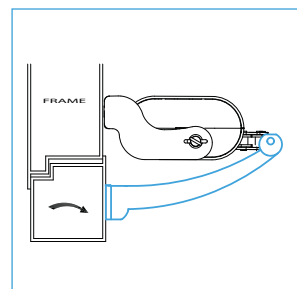
L25/35/SPB
Small Pivot Bracket



L25/35/LPB
Large Pivot Bracket



L25/35/BHB*
Bottom Hung Bracket



* Supplied complete with actuator