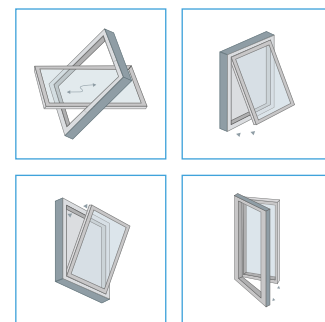


L25 / L35 ACTUATOR

ACTUATORS CHAIN ACTUATORS



■ Applications



■ Colours

White (RAL 9010)
Black (RAL 9005)
Grey (RAL 7035)



* Radio control version also available

■ L25 ACTUATOR

- Chain type actuator with adjustable opening stroke.
- 3 opening strokes from 200mm, 250mm or 380mm.
- Supplied complete with standard bracket for aluminium frames.
- All electrical parts are double insulated and supplied with 1.5m cable.
- Available in white (RAL 9010), grey (RAL 7035) or black (RAL9005).
- Up to 30 actuators can be operated in parallel.

■ L35 ACTUATOR

- Chain-type actuator with adjustable opening stroke.
- 9 opening strokes from 50mm to 420mm.
- Supplied complete with standard bracket for aluminium frames.
- All electrical parts are double insulated and supplied with 1.5m cable.
- Available in white (RAL9010), grey (RAL7035) or black (RAL9005).
- Up to 30 actuators can be operated in parallel.



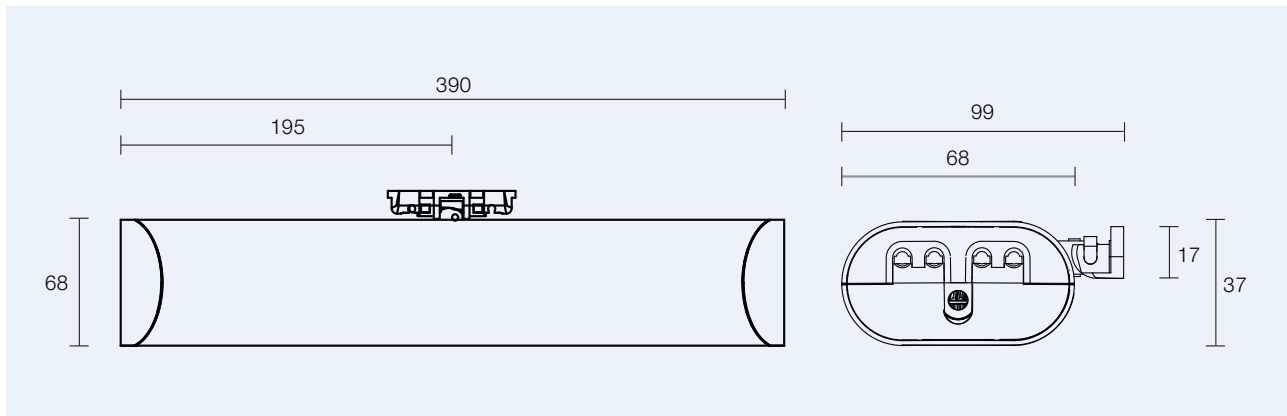
230V

24V

TECHNICAL DATA:

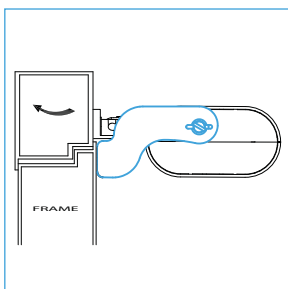
CODE	L25	L35230	L3524
VOLTAGE	230VAC	230VAC	24VDC
STROKE	200-250-380mm	50-420mm	50-420mm
THRUST FORCE	250N	350N	350N
ABSORBED CURRENT	0.19A	0.19A	1A
SPEED	18mm/s	18mm/s	18mm/s
PROTECTION CLASS	IP44	IP44	IP44
FLEX	1.5m (3 CORE)	1.5m (3 CORE)	1.5m (2 CORE)
COLOURS	WHITE / BLACK / GREY	WHITE / BLACK / GREY	WHITE / BLACK / GREY
LIMIT STOP	ELECTRONIC	ELECTRONIC	ELECTRONIC
SAFETY STOP	ELECTRONIC	ELECTRONIC	ELECTRONIC
MAX WINDOW WIDTH	<1.25m	<1.25m	<1.25m

DIMENSIONS:

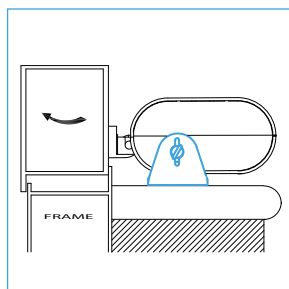


BRACKET TYPES:

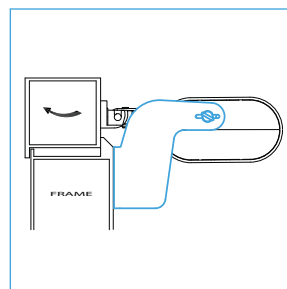
L25/35/SB*
Standard Bracket



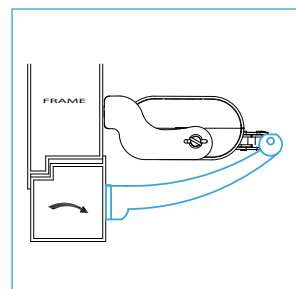
L25/35/SPB
Small Pivot Bracket



L25/35/LPB
Large Pivot Bracket



L25/35/BHB*
Bottom Hung Bracket



* Supplied complete with actuator