

# ACK4 ACTUATOR

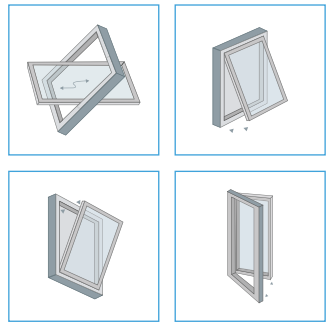
ACTUATORS CHAIN ACTUATORS

## ■ Applications



## ■ Colours

White (RAL 9010)  
Black (RAL 9005)  
Grey (RAL 9006)



## ■ ACK4 ACTUATOR

- Chain type actuator with adjustable travel (7 positions from 100-400mm).
- Strong die-cast aluminium body.
- Brackets and fixings to suit most applications (all sold separately).
- High protection degree IP55.
- A robust stainless steel chain with an acoustic device that warns of incorrect installation.
- All electrical parts are double insulated and supplied with 1.5m cable.
- Available in white, black or grey.



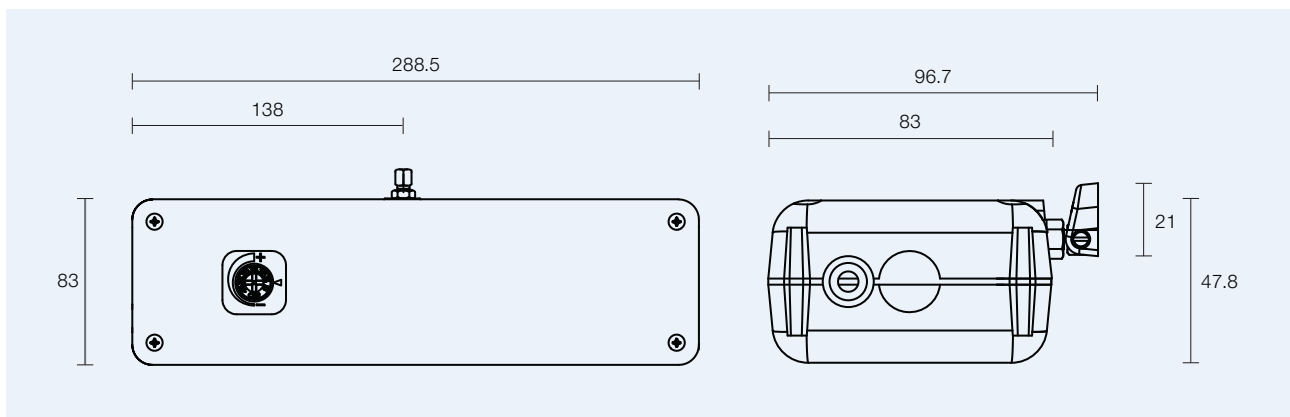
230V

24V

## TECHNICAL DATA:

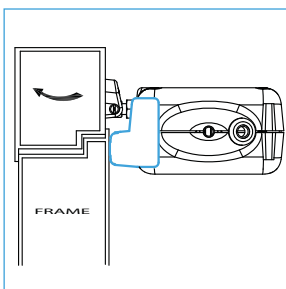
CODE	ACK4230	ACK424
VOLTAGE	230VAC	24VDC
STROKE	100-400mm	100-400mm
THRUST FORCE	300N	300N
ABSORBED CURRENT	0.32A	1.35A
SPEED	27mm/s	17mm/s
PROTECTION CLASS	IP55	IP55
FLEX	1.5m (3 CORE)	1.5m (2 CORE)
COLOURS	WHITE / BLACK / GREY	WHITE / BLACK / GREY
LIMIT STOP	ELECTRONIC	ELECTRONIC
SAFETY STOP	ELECTRONIC	ELECTRONIC
MAX WINDOW WIDTH	<1.5m	<1.5m

## DIMENSIONS:

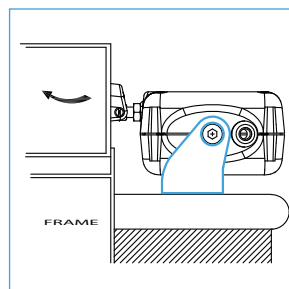


## BRACKET TYPES:

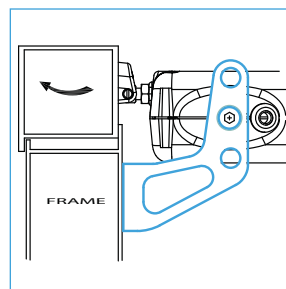
**ACK4/SB**  
Standard Bracket



**ACK4/SPB**  
Small Pivot Bracket



**ACK4/LPB**  
Large Pivot Bracket



**ACK4/BHB**  
Bottom Hung Bracket

